



SPECIFICS

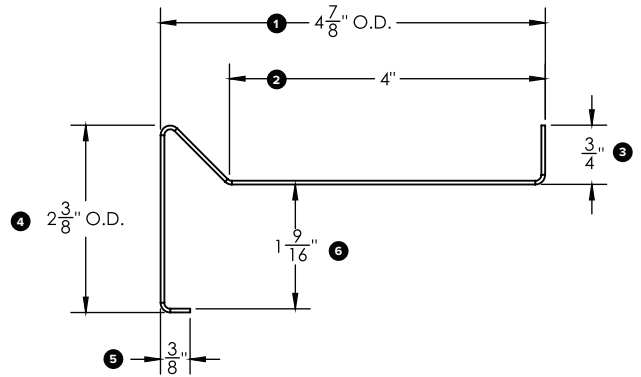
- #4 Brushed finish
- 18GA Stainless Steel #304 Alloy
- Finish direction parallel with drink rail length

INSTALLATION

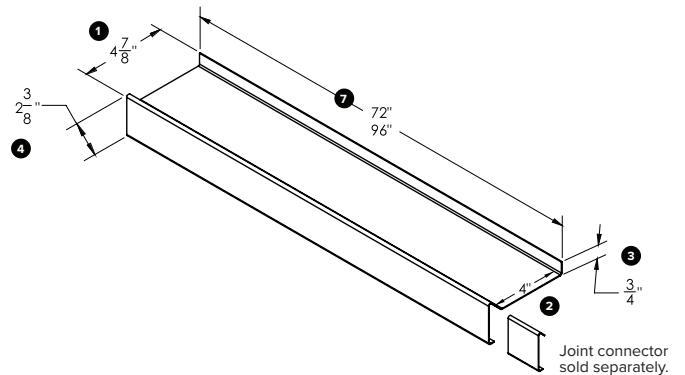
1. Cut drink rail Item #DR-SLO sections to length (if necessary).
2. Apply adhesive to the bar top or counter substrate.
3. Adhere the first section of the drink rail section to the surface.
4. Insert joint connector Item #DR-SLO-JC into the end of the secured section of the drink rail to connect additional sections or inside corner piece Item #DR-SLO-IC.
5. Seal the top of any seams with a mildew resistant clear silicone sealer.
6. Apply adhesive and add End Cap Item #DR-SLO-REC or DR-SLO-LEC as needed.

**CUSTOM FINISHING
AVAILABLE BY REQUEST**

SIDE VIEW



ISOMETRIC VIEW



DIMENSIONS

1	OUTSIDE WIDTH	$4\frac{7}{8}$ "
2	INSIDE WIDTH	4"
3	BACK HEIGHT	$\frac{3}{4}$ "
4	FACE HEIGHT	$2\frac{3}{8}$ "
5	LIP WIDTH	$\frac{3}{8}$ "
6	LIP HEIGHT	$1\frac{9}{16}$ "
7	LENGTH OPTIONS	72"/96"