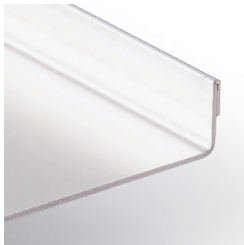
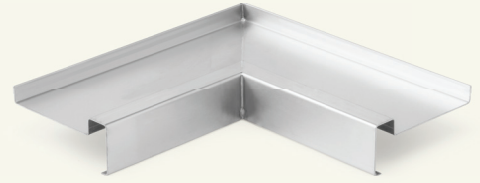


Inside Corner

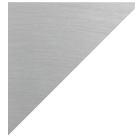
Rectangle Drink Rail

Finish your rectangle bar drink rail layout with this inside corner piece.



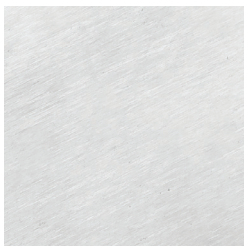
Made of 18-gauge
304 stainless steel.

Standard Finishes



Brushed
Stainless

Custom finishing is available upon request.



#4 satin finish.

Dimensions

(1)	Left Back Length	12"
(2)	Right Back Length	12"
(3)	Inside Width	4"
(4)	Outside Width	5.13"

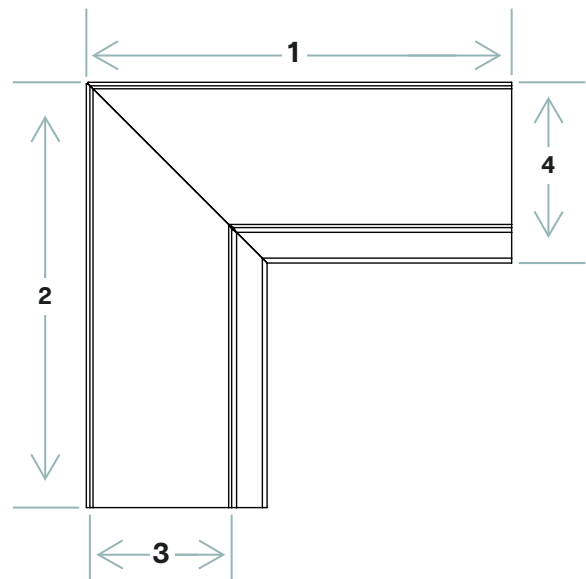
Installation

1. Cut drink rail Item #DR-REC sections to length (if necessary).
2. Apply adhesive to the bar top or counter substrate.
3. Adhere the first section of the drink rail section to the surface.
4. Insert joint connector Item #DR-REC-JC into the end of the secured section of the drink rail to connect additional sections or inside corner piece Item #DR-REC-IC.
5. Seal the top of any seams with a mildew resistant clear silicone sealer.
6. Apply adhesive and add End Cap Item #DR-REC-RC or DR-REC-LC as needed.

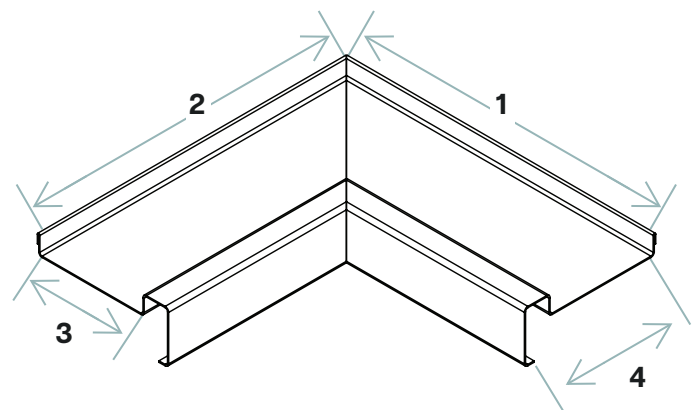
Care and maintenance varies by finish. Given the nature of the product, typical wear and tear may be noticed with your bar rail over time, such as scuffs, scratches, and dirt.

Visit [Kegworks.com/care-guide](https://www.kegworks.com/care-guide) to read our guide on how to properly prep, clean, and maintain all bar rail finishes.

OVERHEAD VIEW



ISOMETRIC VIEW



Complete The System

Make sure to get all the necessary components to complete your bar rail system.

- ▶ Straight
- ▶ Corner
- ▶ End Cap
- ▶ Drip Tray